

Installation Instructions

Models #CB850, CB1050, CB1250

- 1.) Determine roof rafter spacing.
 - a.) **16" Rafter Spacing:** Cut a 14 1/2" square hole between rafters approximately 24" down from roof peak to center of hole.
 - b.) **24" Rafter Spacing:** Cut a 16 3/4" square hole between rafters approximately 24" down from roof peak to center of hole.

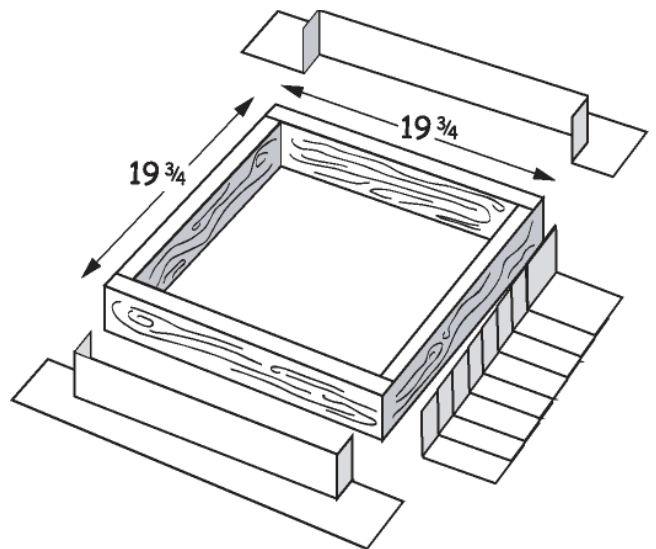
- 2.) Build a 19 3/4" x 19 3/4" curb with treated lumber and secure to roof deck.

- 3.) Flash curb with appropriate material. Metal flashing is most common.

- 4.) Run a generous bead of sealant along top edge of curb.

- 5.) Pre-drill (8) mounting holes, (2) per side, on the base skirt of the SunRise.

- 6.) Place the SunRise over curb with SRS Logo on the bottom, making sure it is seated into sealant. Using exterior-grade screws, secure unit to curb.



DO NOT OVER-TIGHTEN SCREWS, AS THIS MAY CAUSE
UNIT BASE TO CRACK OVER TIME.